

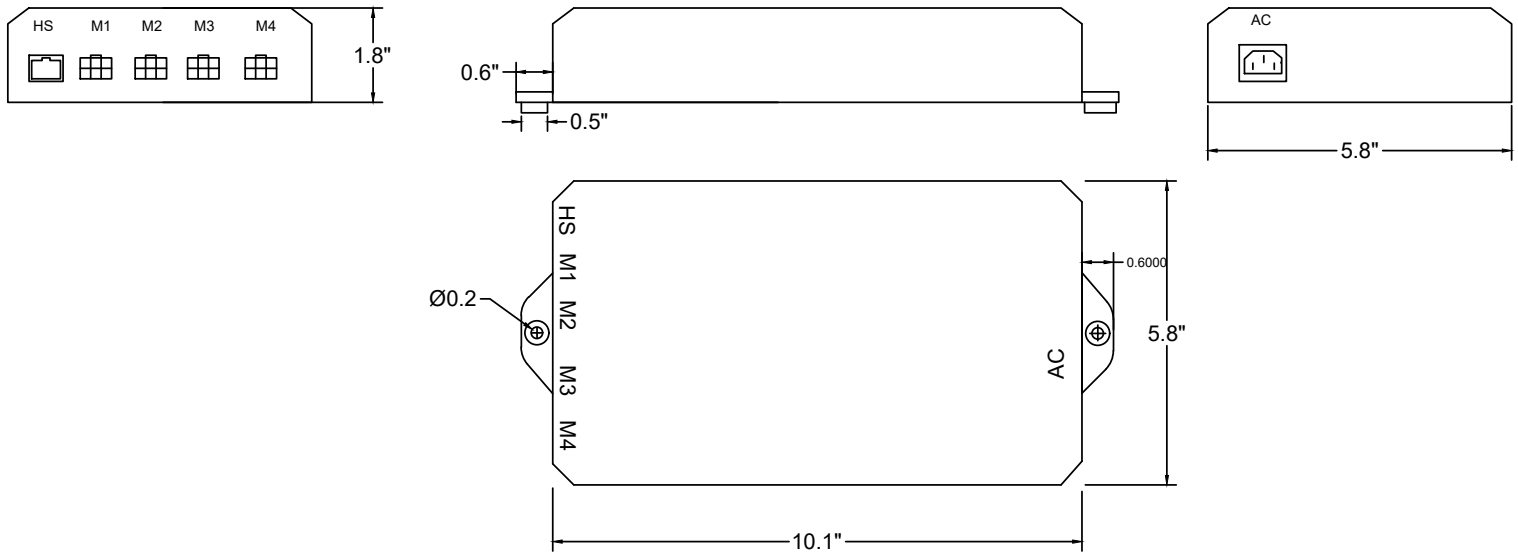
FLTCON-4 Data Sheet



Control Type	Wired Remote (Not Included)
Input Voltage	110-220VAC (Power Cable Included)
Output Voltage	24VDC
Current	6.25A Per Channel
Number of Channels	4
Feedback Input	Hall Effect Sensor
Duty Cycle	10% (Max. 2 mins on, 18 mins off)
Certifications	CE, FCC
Unit Weight	2.05lbs
Size (L x H x W)	10.1" x 1.8" x 5.8"
Warranty	18 Months



Dimensions



Operational Procedure

To raise the actuator(s) or column(s), press and hold the UP button. To lower the actuator(s) or column(s), press and hold the DOWN button. The UP and DOWN buttons are momentary controlled. When either directional buttons are released, the actuator(s) or column(s) will stop immediately.

To save a position, move the actuator(s) or column(s) to the desired height. Press the "M" button followed by a number. The LED display will flash an 'S', followed by an 'S - Number'. This will indicate that the position has been saved. To use a preset, press any of the numbered buttons and the actuator(s) or column(s) will begin to move to the preset position. It is important to ensure that no obstacles impede the motion of travel. To stop motion while in travel, press any button. If the connected actuator(s) or column(s) do not function as intended or the LED display flashes "RST", please follow the Reset Procedure outlined below.

Reset Procedure

To enter the Reset Procedure, press and hold the DOWN button on the Hand Remote until the LED shows "RST" (If you are not using an LED hand remote, hold the DOWN button for about 10 seconds). Release the DOWN button. Press and hold the DOWN button once more until the actuator(s) or column(s) lower completely then slightly rise before coming to a stop. This signals the end of the reset procedure. Release the DOWN button and your system is now ready to use.

If any error message persist after completing the reset procedure, contact us at 1-800-676-6123 or by email at sales@progressiveautomations.com to receive assistance from our available technicians.

- *If the height difference between the legs exceeds 1.5 inches, stop the reset procedure & contact us.
- *If the handset displays 'HOT', let the unit cool down for 20 minutes before starting the reset procedure again.



Troubleshooting Guide		
Problem	Possible Cause	Corrective Action
Remote LED is off.	Low power mode activated	Press any button on the remote and LED will activate.
	Connection issue	Disconnect and reconnect the RJ-45 remote connector. Ensure connection is secure and cable is not damaged.
Lifting columns do not move when motion control buttons are pressed.	Limit switch reached	Follow "Setting Limit Switches" instructions to remove the programmed limit (FLT-02 only). If maximum or minimum height limit has been reached, please move the system in the opposite direction.
	Connection issue	Disconnect and reconnect the Lifting Columns, Control Box, AC Power, and Remote.
Lifting columns travel at a significantly slower speed than rated specification.	Weight issue	Ensure weight capacity has not exceeded the maximum load rating.
Unusual noise during travel.	Weight issue	Ensure weight capacity has not exceeded the maximum load rating.
Lifting columns stop abruptly during travel.	Obstacle	Ensure there are no obstacles in the path of the lifting columns. If the movement continues to fail, initiate the Reset Procedure.
Lifting columns are not level.	Out of sync	Disconnect and reconnect all cables (Lifting Column, Control Box, AC Power, and Remote), then initiate the Reset Procedure.

Error Codes (remotes with LED display)		
Error Code	Error Summary	Description
E01	M1 overcurrent protection	All columns stop moving and remote displays E01-E04. Ensure that the total weight capacity of the lifting columns has not been exceeded and that no obstacles obstruct the movement. Press any key and remote will display RST, initiate the Reset Procedure. If the issue persists, disconnect and reconnect all of the lifting columns, including the main power. Repeat the Reset Procedure.
E02	M2 overcurrent protection	
E03	M3 overcurrent protection	
E04	M4 overcurrent protection	
E07	M1 hall error	All columns stop moving and remote displays E07-E10. Ensure that all columns are still properly connected to the control box. Check to see if any cables have been damaged. Press any key and remote will display RST, initiate the Reset Procedure. If the issue persists, disconnect and reconnect all of the lifting columns, including the main power. Repeat the Reset Procedure.
E08	M2 hall error	
E09	M3 hall error	
E10	M4 hall error	
H01	Over heat /duty cycle protection	All columns stop moving, remote displays H01 (if LED screen available). Allow the system to rest for 16 minutes, use normally. Follow the Duty Cycle rating to ensure no issues arise from overheating.