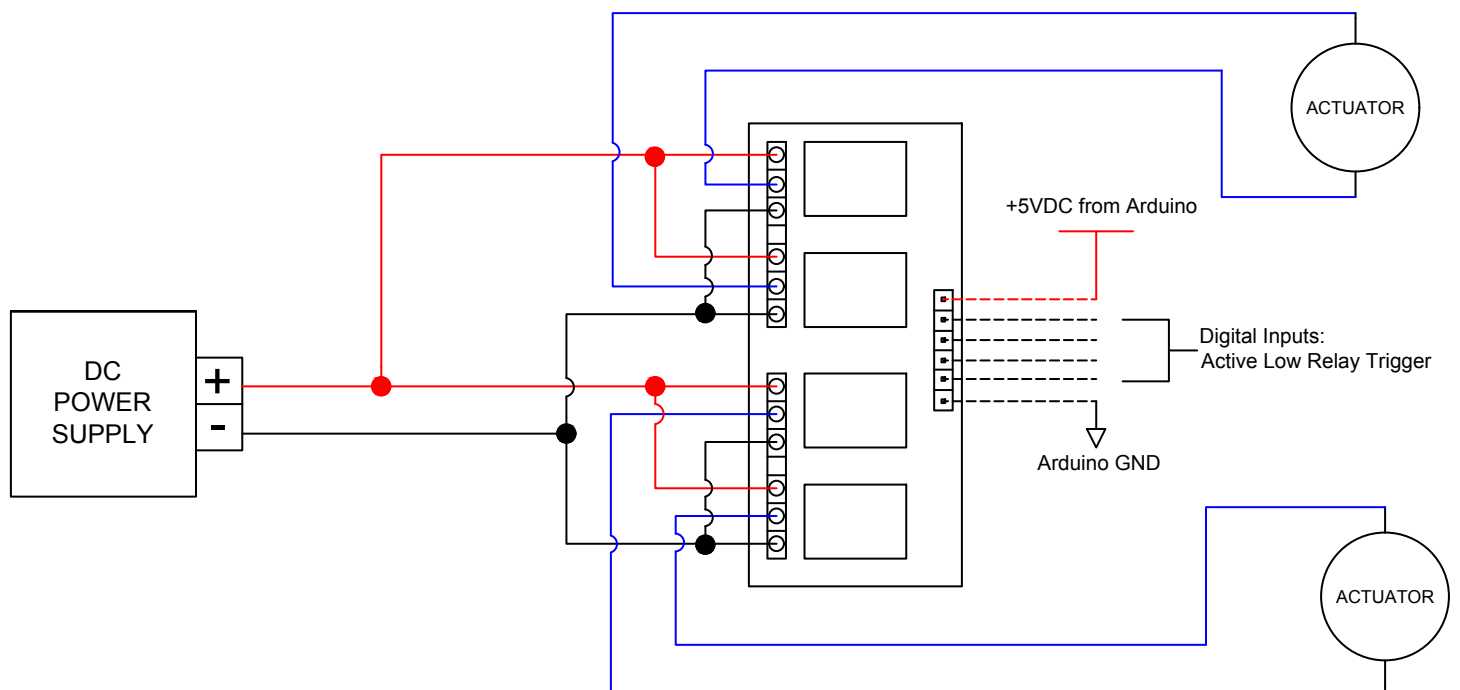
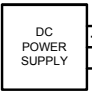



4-Channel Digital Relay + Arduino Wiring of Linear Actuator

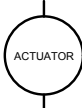
Functionality:

In this wiring configuration, it shows the proper way to connect the individual relays on-board the digital relay module in order to control 2 actuators. Please note that you will require a microcontroller to activate the relay module. Maximum current draw for the digital relays is 10A at 12VDC.




 Type: DC Power Supply
 Connections: AC [L/N/G], DC [+V, COM]


 Type: DC Common Symbol
 Connection Point: COM / -V on power supply


 Type: DC Motor, Bi-directional
 No. Connections: 2