

## PA-100

## Data Sheet



### Contents

Specifications	Page 2
Dimensions	Page 3
Load vs Speed/Current	Page 4
Mounting Brackets	Page 5
Feedback Options	Page 6

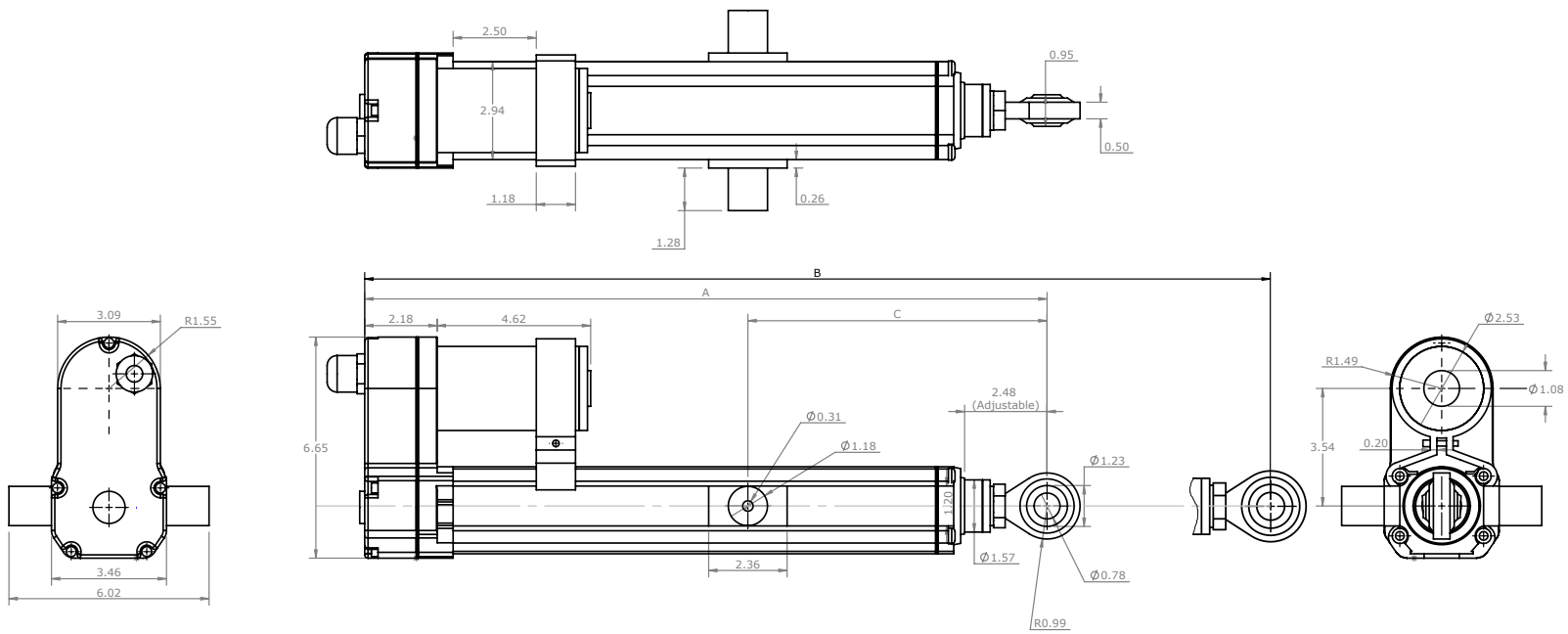
# Specifications



<b>Input Voltage</b>	12VDC	24VDC	36VDC
<b>Current (Full Load)</b>	10A	6.75A	4.1A
<b>Current (No Load)</b>	<1A	<1A	<1A
<b>Speed (Full Load)</b>	0.09"/sec	0.06"/sec	0.04"/sec
<b>Speed (No Load)</b>	0.12"/sec	0.08"/sec	0.06"/sec
<b>Force (Static)</b>	10,000 lbs		
<b>Force (Dynamic)</b>	3300 lbs		
<b>Stroke</b>	20"-47"		
<b>Protection Class</b>	IP66 Dynamic		
<b>Operational Temperature</b>	-30°C~70°C (-22°F~158°F)		
<b>Noise</b>	56 dB		
<b>Duty Cycle</b>	12%		
<b>Limit Switch</b>	Internal, non-adjustable		
<b>Limit Switch Feedback</b>	Yes		
<b>Feedback Options</b>	Hall Effect (see Page 6)		
<b>Wire Length</b>	40"		
<b>Motor Type</b>	Brushed DC Motor		
<b>Screw Type</b>	ACME Screw (Integrated Brake)		
<b>Housing Material</b>	Aluminum Alloy		
<b>Gear Material</b>	Powder Metallurgy		
<b>Rod Material</b>	Stainless Steel		
<b>Certifications</b>	CE, UV Ray, Salt Exposure, UL		
<b>Mounting Brackets</b>	See Page 5		



# Dimensions



## **For Stroke Length**

$$A = \text{Stroke} + 7.87''$$

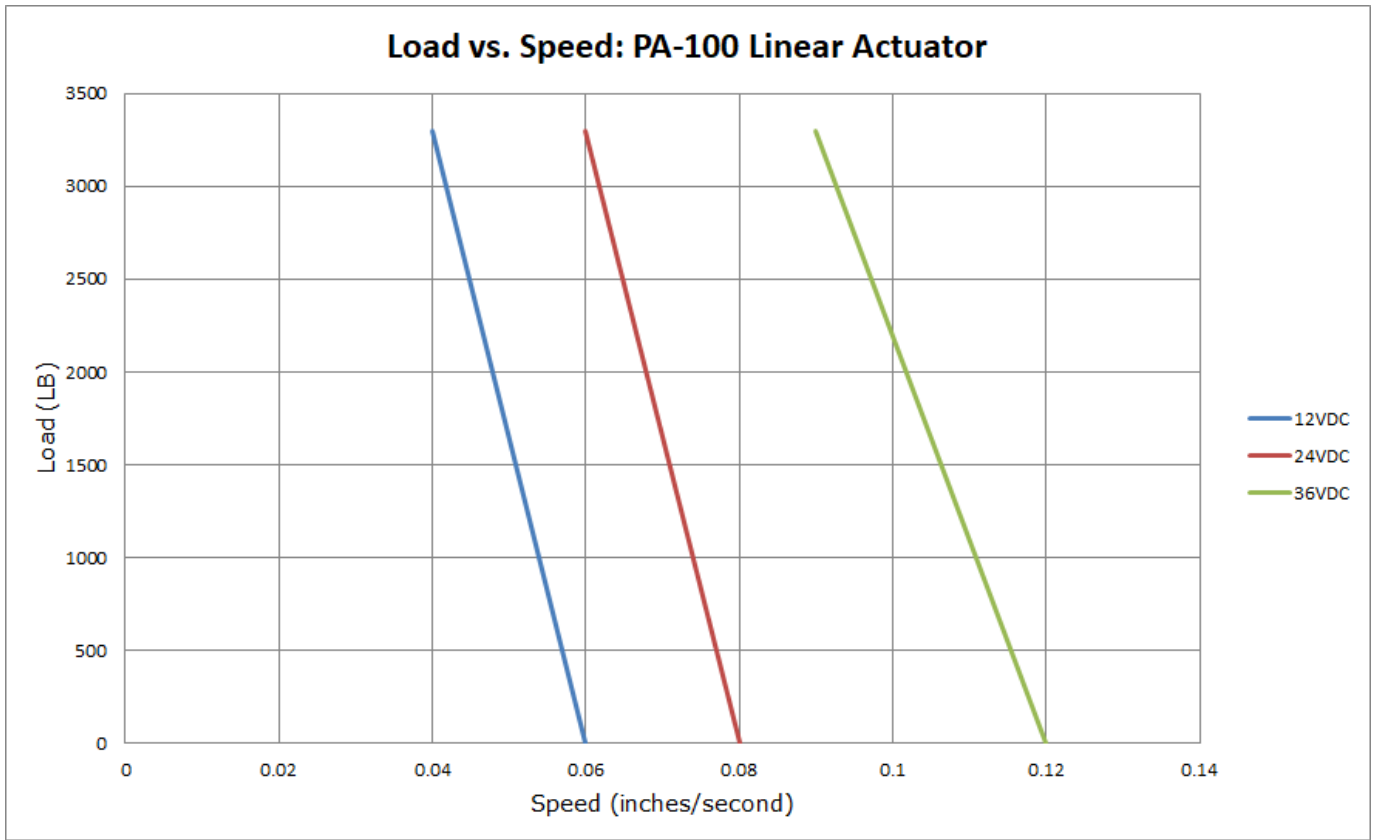
$$B = \text{Stroke} \times 2 + 7.87''$$

## **For Shaft mounting length**

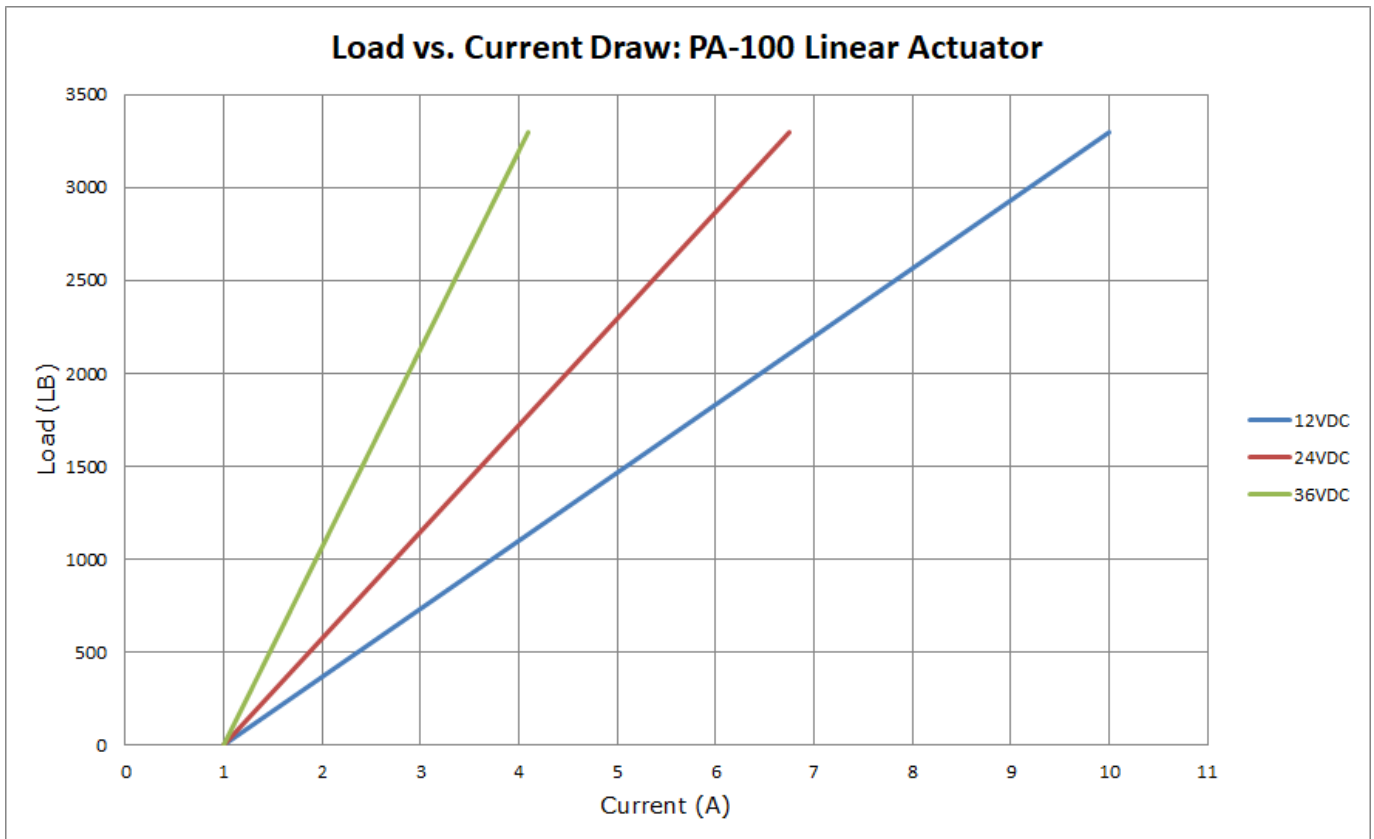
$$C = \text{Shaft mounting} + \text{Stroke}$$



# Load vs Speed



# Load vs Current



# Hall Effect Specifications



Pulses/inch	Resolution
0.88	0.00177

Power		Signal			
1	4	2	3	5	6
M+	M-	GND	VCC	Data 1	Data 2

