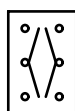
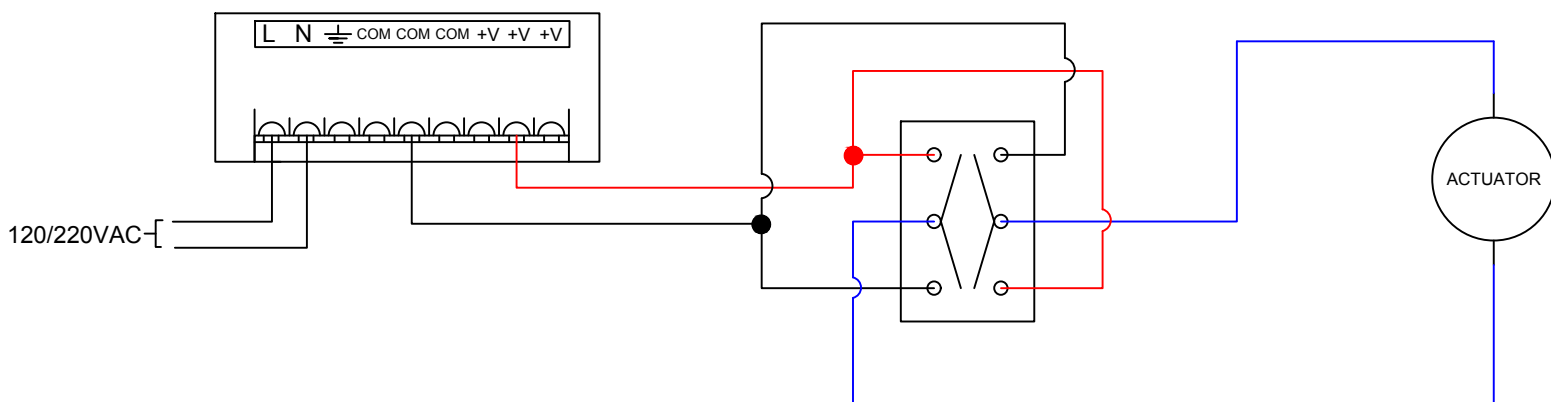


Power Supply and Rocker Switch Control of a Linear Actuator

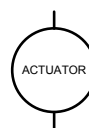
Functionality:

In this wiring configuration, the DPDT rocker switch connects directly to the power supply with screw terminals. The rocker switch provides for the polarity reversal which extends/retracts the actuator.



Type: DPDT Rocker Switch

No. Connections: 6



Type: DC Motor,
Bi-directional

No. Connections: 2